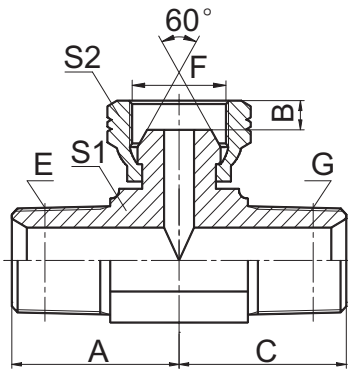


# 过渡接头 ADAPTER



## BNUN

布锥管外螺纹 / 美制 NPSM 内螺纹 / 布锥管外螺纹  
NPT MALE/NPSM FEMALE/NPT MALE

代号 PART NO.	螺纹 THREAD			尺寸 DIMENSIONS					
	E	F	G	A	B	C	S1	S2	
BNUN-04	Z1/4"X18	1/4"X18	Z1/4"X18	25.5	4.6	25.5	14	19	
BNUN-06-04-06	Z3/8"X18	1/4"X18	Z3/8"X18	31	4.6	31	19	19	
BNUN-04-06-04	Z1/4"X18	3/8"X18	Z1/4"X18	25.5	6	25.5	14	22	
BNUN-06	Z3/8"X18	3/8"X18	Z3/8"X18	31	6	31	19	22	
BNUN-08-06-08	Z1/2"X14	3/8"X18	Z1/2"X14	36.7	6	36.7	22	22	
BNUN-06-08-06	Z3/8"X18	1/2"X14	Z3/8"X18	31	7.5	31	19	27	
BNUN-08	Z1/2"X14	1/2"X14	Z1/2"X14	37.3	7.5	37.3	22	27	
BNUN-12	Z3/4"X14	3/4"X14	Z3/4"X14	43.5	8.9	43.5	27	32	
BNUN-16	Z1"X11.5	1"X11.5	Z1"X11.5	50	10.5	50	33	41	
BNUN-20	Z1.1/4"X11.5	1.1/4"X11.5	Z1.1/4"X11.5	60	11.2	60	41	50	
BNUN-24	Z1.1/2"X11.5	1.1/2"X11.5	Z1.1/2"X11.5	59	11.2	59	48	55	
BNUN-32	Z2"X11.5	2"X11.5	Z2"X11.5	73.5	11.2	73.5	63	70	